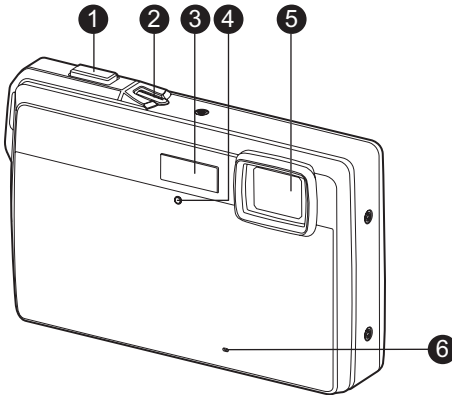


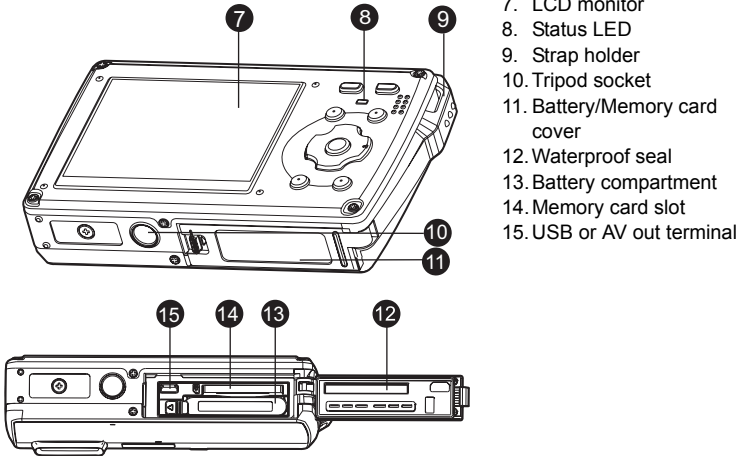
GETTING TO KNOW YOUR AGFAPHOTO OPTIMA 830UW

Front View

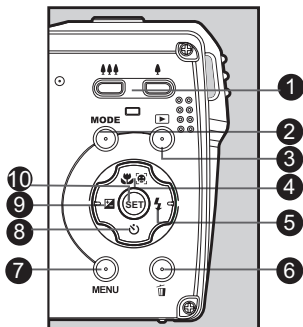


1. Shutter button
2. Power button
3. Flash
4. Self-timer LED
5. Lens
6. Microphone

Rear View



Button Operation

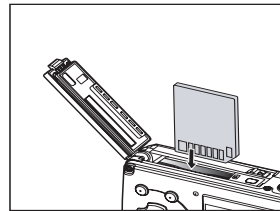
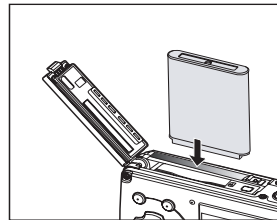
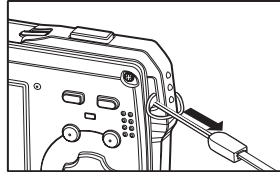


Item	Function		
	📷 Capture Mode	📹 Video Mode	▶ Playback Mode
1.	⏏: Zooms out ⏏: Zooms in	⏏: Zooms out ⏏: Zooms in	⏏: Thumbnail ⏏: Zooms in
2.	Capture Mode: switches to: video mode > scene mode selection screen	Switches to: scene mode selection screen > capture mode	Still image: Switches to capture mode Video clip: Switches to video mode
3.	Switches to playback mode	Switches to playback mode	Still image: Switches to capture mode Video clip: Switches to video mode
4.	Sets focus mode: auto>📷>📷>∞	Sets focus mode: auto>📷>∞	Rotation right
5.	Sets flash mode: Auto>📷>📷>📷>📷	--	Next file
6.	--	--	Delete present file
7.	Switches to capture menu list	Switches to video menu list	Switches to playback menu list
8.	Sets self-timer mode: Off>📷>📷>📷	Sets self-timer mode: Off>📷>📷	--
9.	Sets exposure compensation	--	Previous file
10.	If any scene mode is set: switches to scene mode selection screen	--	Still image: Displays image. Records voice memo if "Voice Memo" is set to "On". Video clip: Plays video clip

GETTING STARTED

Preparation

1. Attach the camera strap.
2. Open the battery/memory card cover.
3. Insert the supplied battery with correct orientation as shown.
4. Insert an SD/SDHC memory card (Optional).
 - The camera has 32MB internal memory (approx. 28MB available for image storage), but you can load an SD/SDHC memory card to expand the camera's memory capacity.
 - Be sure to format the memory card with this camera before its initial usage.
5. Close the battery/memory card cover and make sure it is locked securely.

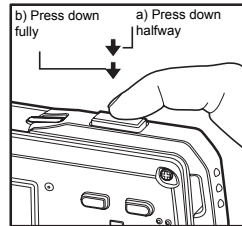


CAPTURE MODE

Capturing Images

Your camera is equipped with a 2.5" full color TFT LCD monitor to help you compose images, playback recorded images/video clips or adjust menu settings.

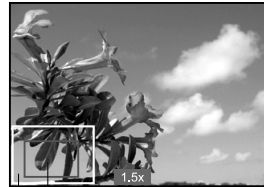
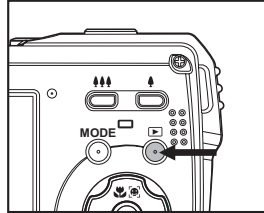
1. Press the power button to turn the power on.
 - The status LED lights green and the camera is initiated.
2. Toggle the **MODE** button to [📷].
3. Compose your image in the LCD monitor.
 - Pressing the **▲** button zooms in on the subject, and enlarges the subject on the LCD monitor.
 - Pressing the **■** button provides a wider angle image.
4. Press the shutter button.
 - Pressing the shutter button down halfway automatically focuses and adjusts the exposure, and pressing the shutter button down fully captures the images.
 - The focus area frame turns green when the camera is in focus and the exposure is calculated.
 - When the focus is not suitable, the frame of the focus area turns red.



Playing Back Still Images

You can play back the still images on the LCD monitor.

1. Press the **[▶]** button.
 - The last image appears on the screen.
2. The images can be displayed in forward or reverse sequence with the **◀ / ▶** buttons.
 - To view the previous image, press the **◀** button.
 - To view the next image, press the **▶** button.
 - Pressing the **▲** button during image playback will result in a 90-degree clockwise rotation display.
 - Pressing the **⬇** button enlarges the image.
 - To return to normal magnification, press the **▲▲▲** or **SET** button.



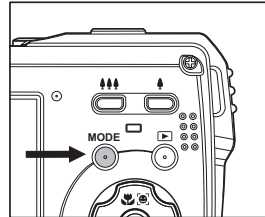
Entire image Current position of enlargement

VIDEO MODE

Recording Video Clips

This mode allows you to record video clips at a resolution of VGA 640 x 480 / QVGA 320 x 240 pixels.

1. Toggle the **MODE** button to [📹].
2. Compose the image.
3. Press the shutter button.
 - The recording of the video clip will start.
 - Pressing the shutter button one more time will end the recording of the video clip.
 - The recording time depends on the storage size and the subject of the image to be recorded.
 - The zoom function cannot be used during video recording.



Playing Back Video Clips

You can play back recorded video clips on the camera.

1. Press the [📺] button.
 - The last image appears on the screen.
2. Select the desired video clip with the ◀ / ▶ buttons.
3. Press the **SET** button.
 - A press of the ▶ / ◀ buttons during playback allows fast forward play / fast reverse play.
 - To stop video playback, press the ▼ button.
This stops playback and returns to the start of the video clip.
 - To pause video playback, press the **SET** button.
This pauses video playback.
To cancel pause, press the **SET** button again.

Deleting Images

Deleting single image / Deleting all images

1. Press the [☒] button.
2. Select the image you want to delete with the ◀ / ▶ buttons.
3. Press the ⏏ button.
4. Select [Single] or [All] with the ▲ / ▼ buttons, and press the **SET** button.
 - [Single]: Deletes the selected image or the last image.
 - [All]: Deletes all of the images except for the protected images.
5. Select [Execute] with the ▲ / ▼ buttons, and press the **SET** button.
 - To not delete, select [Cancel], and press the **SET** button.



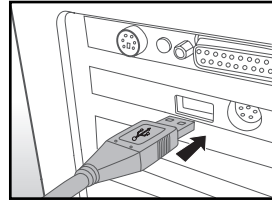
TRANSFERRING FILES TO YOUR COMPUTER

System Requirement

Windows	Macintosh
<ul style="list-style-type: none">■ Pentium III 1GHz or equivalent■ Windows 2000/XP/Vista■ 512MB RAM■ 150MB available hard disk space■ CD-ROM drive■ Available USB port	<ul style="list-style-type: none">■ PowerPC G3/G4/G5■ OS 9.0 or later■ 256MB RAM (512MB recommended)■ 128MB available hard disk space■ CD-ROM drive■ Available USB port

Downloading Your Files

1. Connect one end of the USB cable to an available USB port on your computer.
2. Connect the other end of the USB cable to the USB terminal on the camera.
3. Turn on your camera.
4. Select [PC] using the ▲ / ▼ buttons and press the **SET** button.
5. From the Windows desktop, double click on "My Computer".
6. Look for a new "removable disk" icon.
 - This "removable disk" is actually the memory (or memory card) in your camera.
Typically, the camera will be assigned drive letter "e" or higher.
7. Double click on the removable disk and locate the DCIM folder.
8. Double click on the DCIM folder to open it to find more folders.
 - Your recorded images and video clips will be inside these folders.
9. Copy & Paste or Drag-N-Drop image and video files to a folder on your computer.



Mac users: Double-click the "untitled" or "unlabeled" disk drive icon on your desktop. iPhoto may automatically launch.

Customer care

More information on the complete AgfaPhoto digital camera product range can be found at www.plawa.com and www.plawausa.com.

Service & Repair (USA/ Canada):

1-866 475 2605

www.plawausa.com

Support Service (USA/ Canada)

support-apdc@plawausa.com

Service & Repair Hotline (EU):

00800 752 921 00 (from a landline only)

Service & Support Hotline (Germany):

0900 1000 042 (1.49 euros/min. from a German landline only)

Online Service / International contact:

support-apdc@plawa.com

Manufactured by

plawa-feinwerktechnik GmbH & Co. KG

Bleichereistraße 18

73066 Uhingen

Germany

AgfaPhoto is used under license of Agfa-Gevaert NV & Co. KG. Agfa-Gevaert NV & Co. KG. does not manufacture this product or provide any product warranty or support. For service, support and warranty information, contact the distributor or manufacturer. Contact: AgfaPhoto Holding GmbH, www.agfaphoto.com

Disposal of Waste Equipment by Users in Private Households in the European Union



This symbol on the product or on its packaging indicates that this product must not be disposed of with your other household waste. Instead, it is your responsibility to dispose of your waste equipment by handing it over to a designated collection point for the recycling of waste electrical and electronic equipment. The separate collection and recycling of your waste equipment at the time of disposal will help to conserve natural resources and ensure that it is recycled in a manner that protects human health and the environment. For more information about where you can drop off your waste equipment for recycling, please contact your local city office, your household waste disposal service or the shop where you purchased the product.

FCC Compliance and Advisory

This device complies with Part 15 of the FCC Rules. Operation is subject to the following two conditions: 1.) this device may not cause harmful interference, and 2.) this device must accept any interference received, including interference that may cause unsatisfactory operation. This equipment has been tested and found to comply with the limits for a Class B peripheral, pursuant to Part 15 of the FCC Rules. These limits are designed to provide reasonable protection against harmful interference in a residential installation. This equipment generates, uses, and can radiate radio frequency energy and, if not installed and used in accordance with the instructions, may cause harmful interference to radio communication. However, there is no guarantee that interference will not occur in a particular installation. If this equipment does cause harmful interference to radio or television reception, which can be determined by turning the equipment off and on, the user is encouraged to try to correct the interference by one or more of the following measures.

- Reorient or relocate the receiving antenna.
- Increase the separation between the equipment and receiver.
- Connect the equipment to an outlet on a circuit different from that to which the receiver is connected.
- Consult the dealer or an experienced radio/TV technician for help.

Any changes or modifications not expressly approved by the party responsible for compliance could void the user's authority to operate the equipment. When shielded interface cables have been provided with the product or when specified additional components or accessories have elsewhere been designated to be used with the installation of the product, they must be used in order to ensure compliance with FCC regulations.